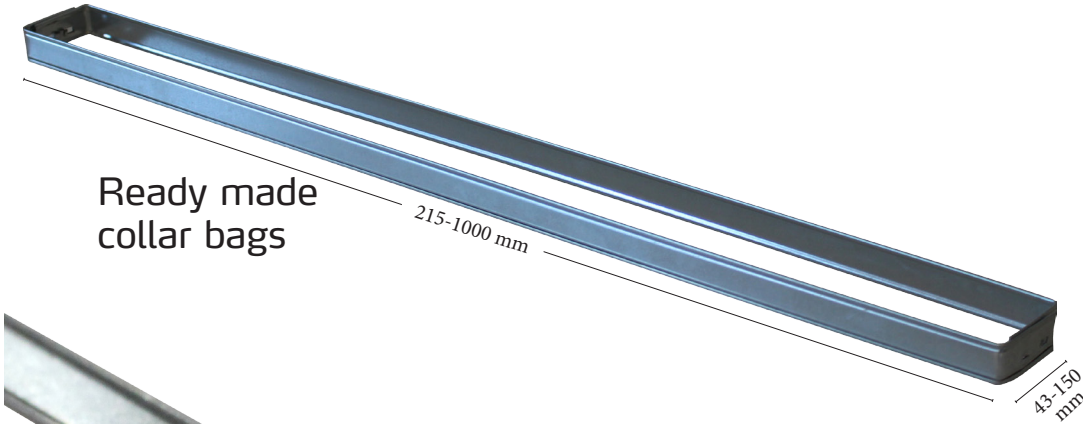
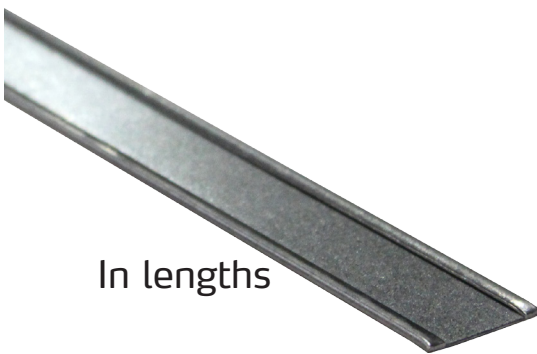


# Collar bags

Profiles for both glass fibre and synthetic filter media

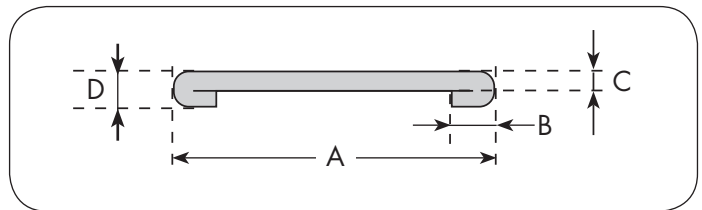


Ready made  
collar bags



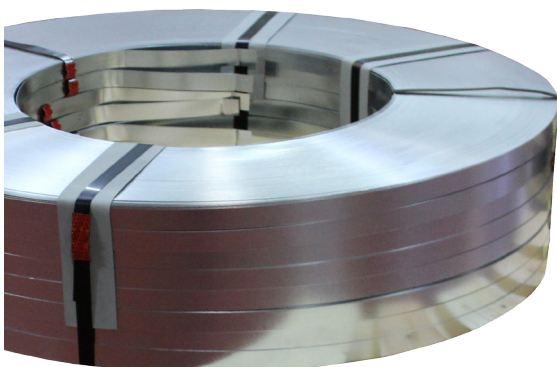
In lengths

## Bag holder strips



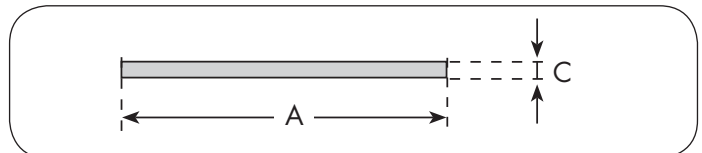
### Bag holder strip, galvanized

Art.no.	A	B	C	D	Weight/m	Strips/pallet
50060	20	2,7	0,5	1,5	98 g	10000
50070	15	2,7	0,5	1,5	79 g	11000



In coil

## Raw material for Anders



### Steel strip, galvanized

Art.no.	A	C	Weight/m	Weight/pallet
25005	25	0,5	98 g	approx. 850-1000 kg
20005	20	0,5	79 g	approx. 850-1000 kg



SM Johannesson AB  
Box 121, SE-334 22 Anderstorp, Sweden  
Tel +46 371 58 87 00, Fax +46 371 58 87 01  
www.smj.se, e-mail: info@smj.se